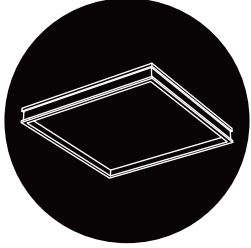
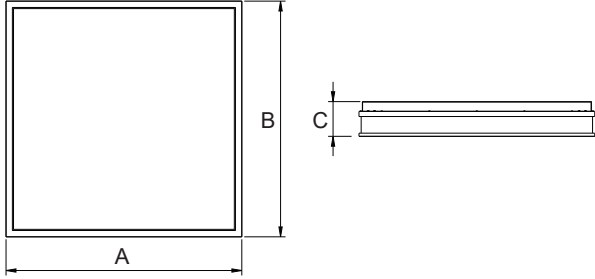






Item Code	Luminaire Description	CCT	kg	
542014015700	LED Skylight SDL-S Sq595-130W-BLE2-WH	1200K-18000K	6.5kg	
542014015800	LED Skylight SDL-S Sq620-130W-BLE2-WH	1200K-18000K	6.75kg	



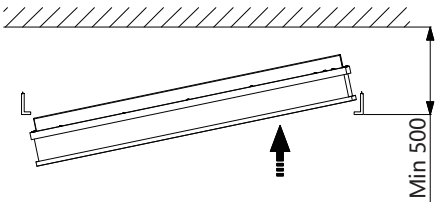
Model	A (mm)	B (mm)	C (mm)
LED SKY-RC-S SQ595-BLE-130W	595	595	88
LED SKY-RC-S SQ620-BLE-130W	620	620	88

Light Source

Product Code	Product Description	N	Light source code	QR Code	Energy Label
542014015700	LED Skylight SDL-S Sq595-130W-BLE2-WH	1	LS128013035-01		
542014015800	LED Skylight SDL-S Sq620-130W-BLE2-WH	1	LS128013035-01		

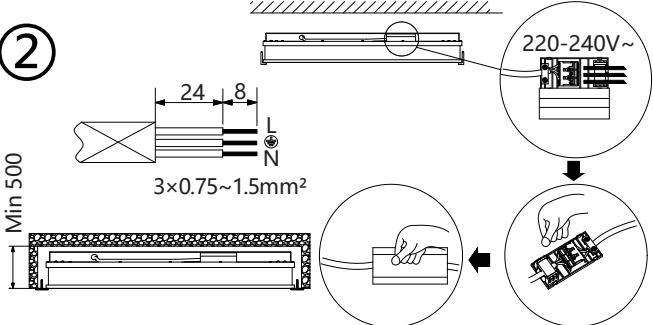
Recessed Installation

①



Unit:mm

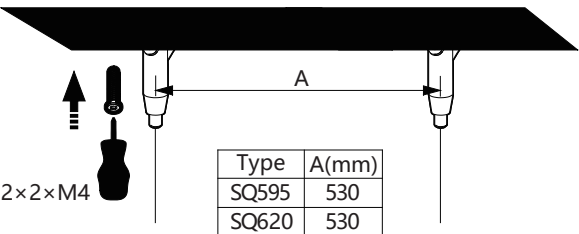
②



Unit:mm

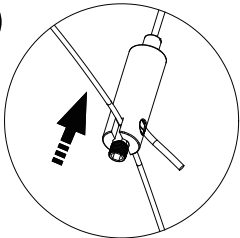
Suspended Installation (Suspension kit available as accessory)

①

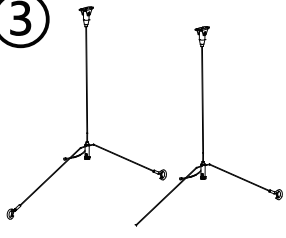


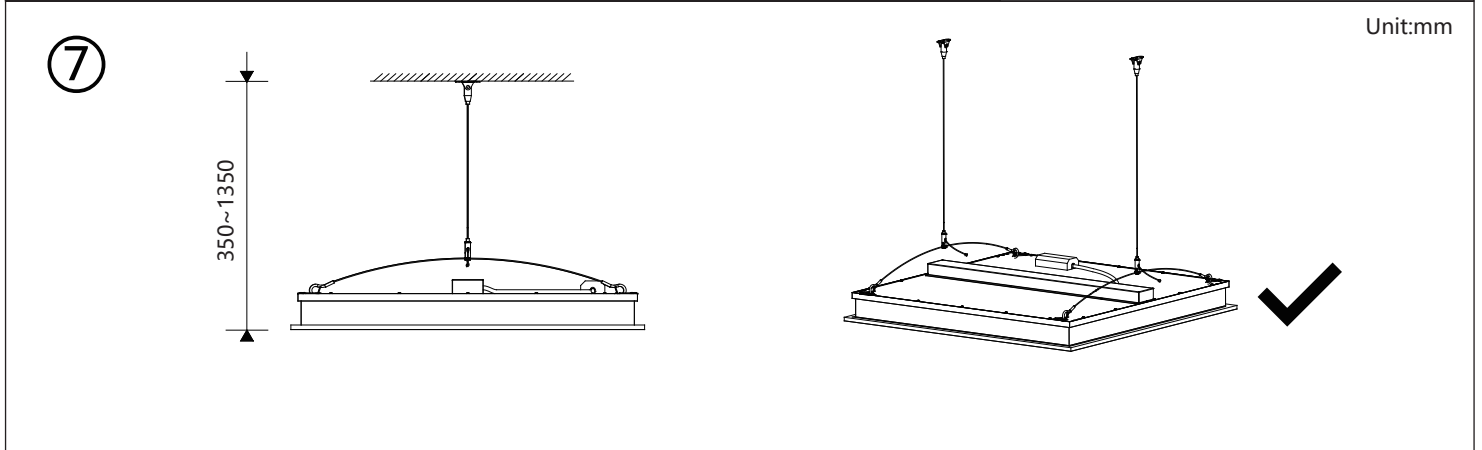
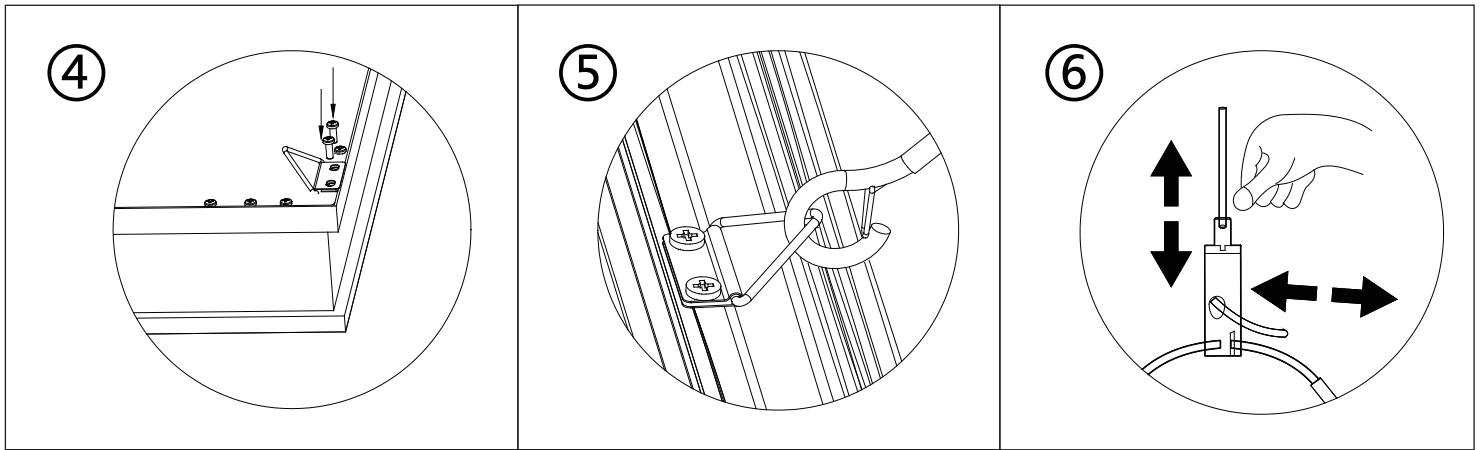
Type	A(mm)
SQ595	530
SQ620	530

②



③





Unit:mm

Code	Description	Weight
542098045500	LEDPanelS-P Suspension-Kit-G6	0.16kg

For non-user replaceable light sources.

The light source contained in this luminaire shall only be replaced by the manufacturer or his service agent or a similar qualified person.

For type Y attachments:

if the external flexible cable or cord of this luminaire is damaged, it shall be exclusively replaced by the manufacturer or his service agent or a similar qualified person in order to avoid a hazard. Caution : Any operation is forbidden while power is on.

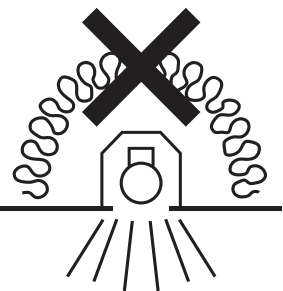
Indoor use only.

The lamp must be completely ceiling-mounted on a solid wall or other fire-resistant insulating surface. Don't install the lamp on hollow or grid surfaces.

Ceiling lamps, chandeliers and other products must be installed on solid concrete ceilings using screw accessory package when the weight of the lamp is greater than 10 kg.

To reduce the risk of strangulation the flexible wiring connected to this luminaire shall be effectively fixed to the wall if the wiring is within arm's reach.

Luminaires not suitable for covering with thermally insulating material.



Data subject to change
Les données sont sujettes à modifications
Änderungen vorbehalten

OPPLE Lighting Co., Ltd.
Room 411, Building 1 No. 6111,
Longdong Avenue, Pudong New District,
Shanghai City 201201, P. R. China
www.opple.com

Opplle Lighting B.V.
Meerenakkerweg 1-07
5652 AR Eindhoven
The Netherlands
service@opple.com