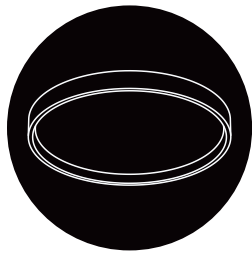
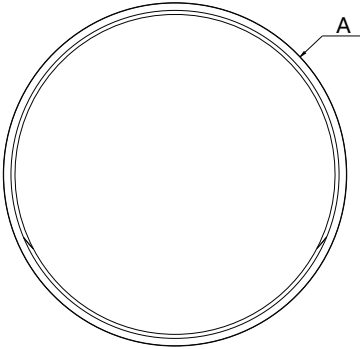





Item Code	Luminaire Description	CCT	kg	
520036014300	LEDSkylight SDL-S Rd900-240W-BLE2-WH	1200K-18000K	18kg	

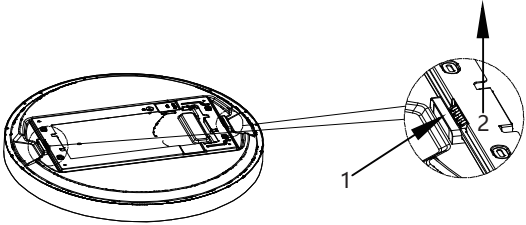
		<table border="1"> <thead> <tr> <th>Model</th> <th>A (mm)</th> <th>B (mm)</th> </tr> </thead> <tbody> <tr> <td>LED SKY-CL-S RD900-BLE-240W</td> <td>φ 900</td> <td>96</td> </tr> </tbody> </table>	Model	A (mm)	B (mm)	LED SKY-CL-S RD900-BLE-240W	φ 900	96
Model	A (mm)	B (mm)						
LED SKY-CL-S RD900-BLE-240W	φ 900	96						

## Light Source

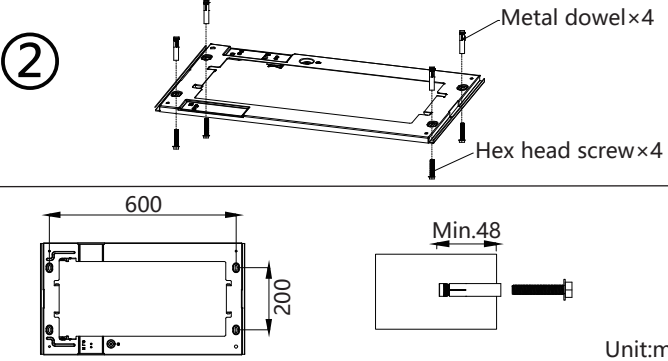
Product Code	Product Description	N	Light source code	QR Code	Energy Label
520036014300	LEDSkylight SDL-S Rd900-240W-BLE2-WH	1	LS128024035-03		

## Installation

**①** Please push the lock at both sides at the same time, then detach the mounting frame.

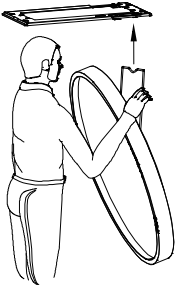


**②**

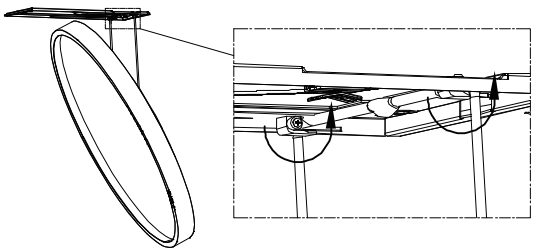


Unit:mm

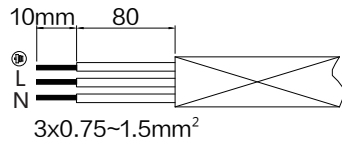
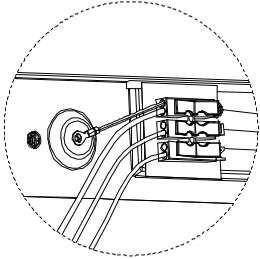
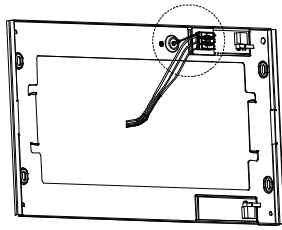
**③**



**④**

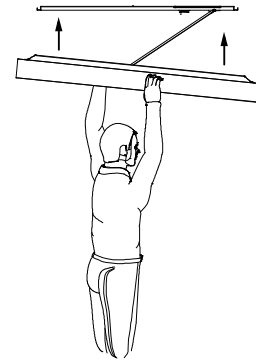


5



6

Please hold on the luminaire and push it to the mounting frame. Please ensure the luminaire is locked on the mounting frame at both sides.



7



For non-user replaceable light sources.

The light source contained in this luminaire shall only be replaced by the manufacturer or his service agent or a similar qualified person.

For type X attachments having a specially prepared cord:

if the external flexible cable or cord of this luminaire is damaged, it shall be replaced by a special cord or cord exclusively available from the manufacturer or his service agent.

Caution : Any operation is forbidden while power is on.

Indoor use only.

The lamp must be completely ceiling-mounted on a solid wall or other fire-resistant insulating surface.

Don't install the lamp on hollow or grid surfaces.

Ceiling lamps, chandeliers and other products must be installed on solid concrete ceilings using screw accessory package when the weight of the lamp is greater than 10 kg.

To reduce the risk of strangulation the flexible wiring connected to this luminaire shall be effectively fixed to the wall if the wiring is within arm's reach.



Data subject to change  
Les données sont sujettes à modifications  
Änderungen vorbehalten

OPPLE Lighting Co., Ltd.  
Room 411, Building 1 No. 6111,  
Longdong Avenue, Pudong New District,  
Shanghai City 201201, P. R. China  
[www.opple.com](http://www.opple.com)

Opplle Lighting B.V.  
Meerenakkerweg 1-07  
5652 AR Eindhoven  
The Netherlands  
[service@opple.com](mailto:service@opple.com)