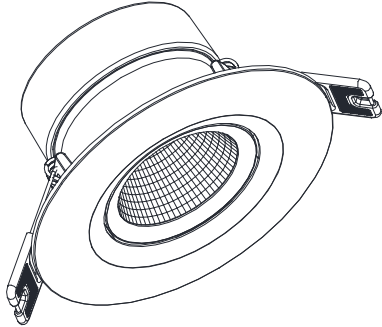
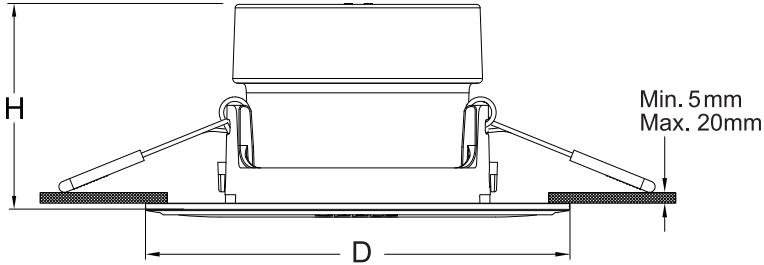


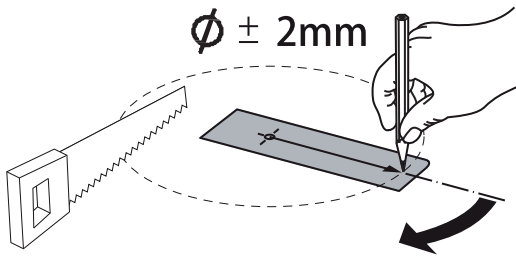
# LED Spot Chiara

Item Code	CCT	kg
541003411200	2700K	0.084kg
541003411300	2700K	0.084kg
541003410800	2700K	0.084kg
541003410900	2700K	0.084kg
541003414400	3000K	0.084kg
541003414500	3000K	0.084kg
541003414200	3000K	0.084kg
541003414300	3000K	0.084kg
541003411400	4000K	0.084kg
541003411500	4000K	0.084kg
541003411000	4000K	0.084kg
541003411100	4000K	0.084kg

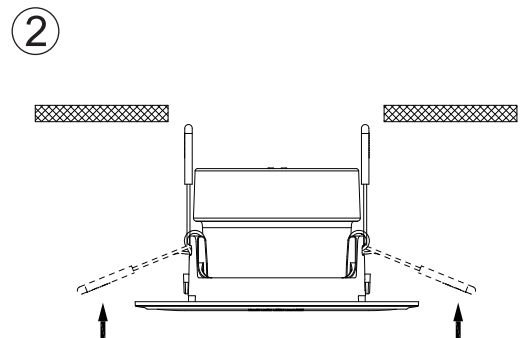
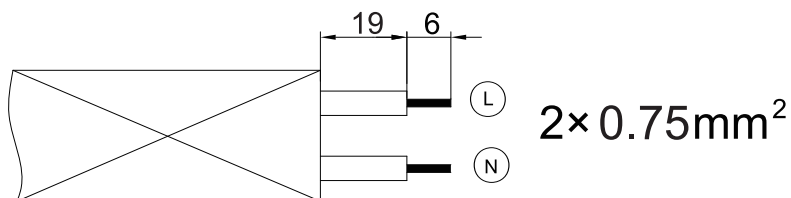
Type	H	D
LED SP-RA-E2 8W	48mm	83mm
LED SP-RA-E2 6W		

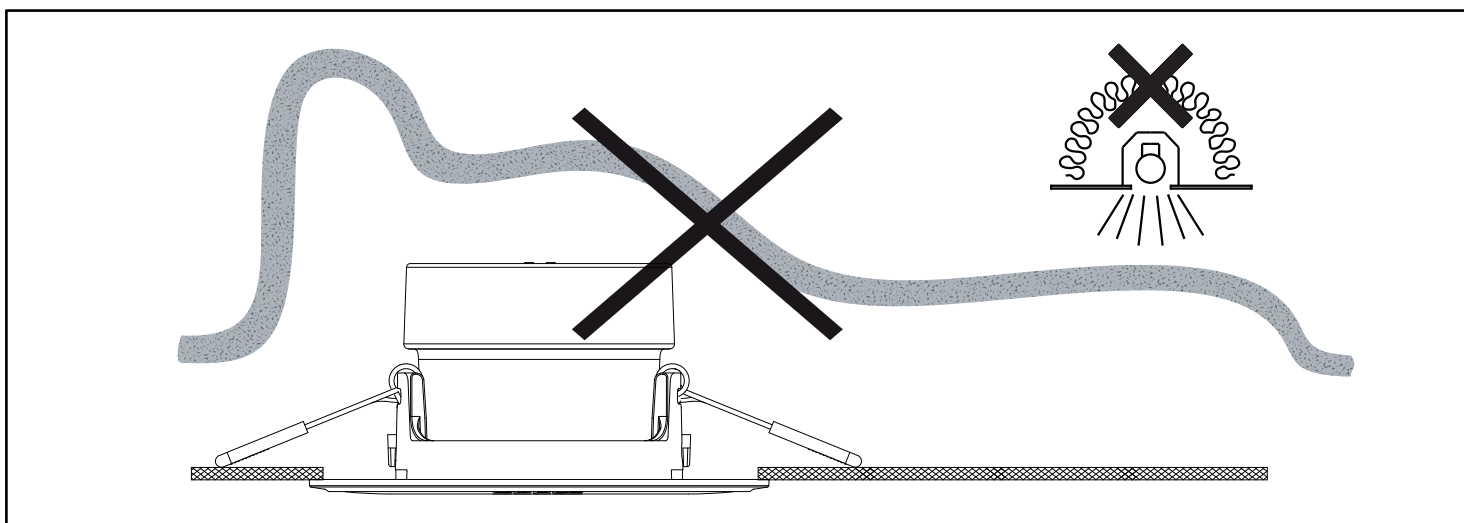
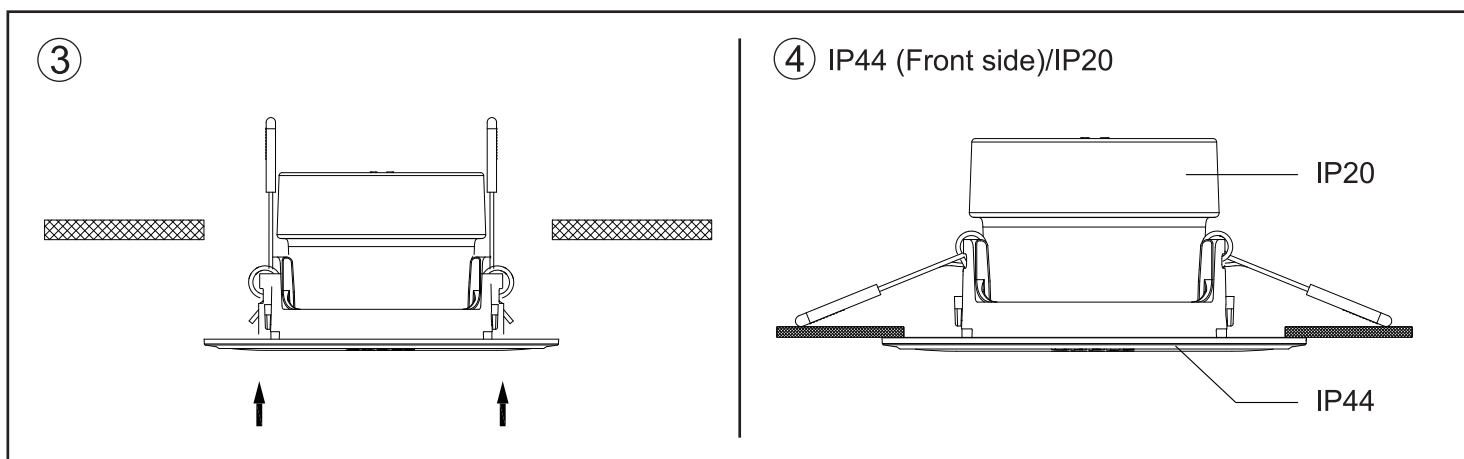
①



Type	Cut-out $\Phi$
LED SP-RA-E2 8W	68-74mm
LED SP-RA-E2 6W	

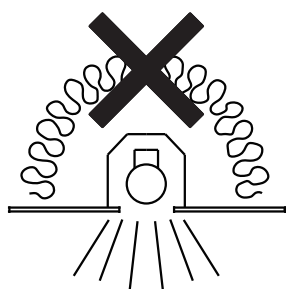
A suitable size of outlet box with internal 2-way terminal blocks which conform to EN60998-2-1 or EN60998-2-2 must be used, more specification about terminal block as below:  
Screw terminal block with box, 450V 5A, 0.75-2.5mm<sup>2</sup>.





The external flexible cable or cord of this luminaire cannot be replaced; If the cord is damaged, the luminaire shall be destroyed.

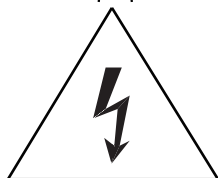
Terminal block not included. Installation may require advice from a qualified person.



Input Voltage: 220-240V~ 50/60Hz

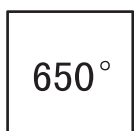
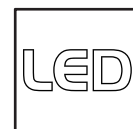
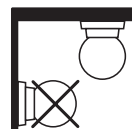
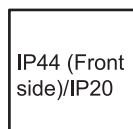
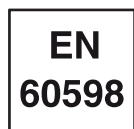
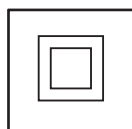
Luminaires not suitable for covering with thermally insulating material.

Caution: Any operation is forbidden while power is on.



For non-user replaceable light sources.

The light source contained in this luminaire shall only be replaced by the manufacturer or his service agent or a similar qualified person.



Suzhou Oppl Lighting Co.,Ltd.  
215200  
East Side, Fenyang Road,  
Fenhu Economic Development Zone,  
Wujiang City, Jiangsu Province,  
P.R.China

OPPLE Lighting B.V.  
Meerenakkerweg 1.11  
5652 AR Eindhoven  
The Netherlands  
service@opple.com  
www.opple.com

Data subject to change  
Les données sont sujettes à modifications  
Änderungen vorbehalten