

LED Smart-BLE2-Rc-PIR-Sensor

<div style="border: 1px solid black; padding: 2px; display: inline-block;">Item Code</div>		
821006002000	0.13kg	

Type	A (mm)	B (mm)	C (mm)	H (mm)	Φ (mm)	D (mm)	X (mm)
RY-IOT-SSR-MDTH-BLE	1000	200	1000	52	80	92	1000

①

Φ80-82mm

For safe connection make sure to use a 2-way terminal block outlet box that conform to EN60998-2-1 or EN60998-2-2 (450V, 5A, 0.75-2.5mm²).

2 × 0.75mm²

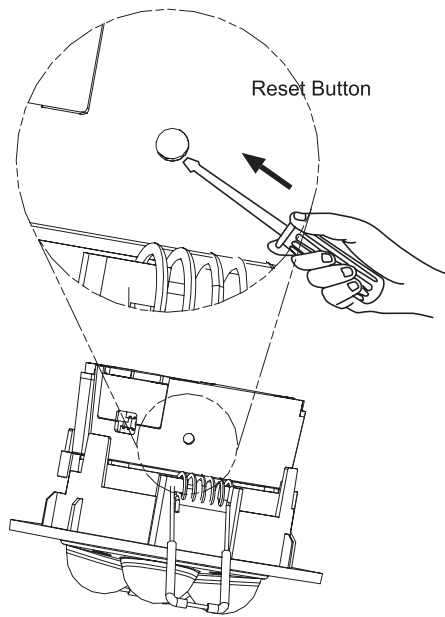
②

③

④

⑤

Reset button



Reset

1.Reset button: Press and hold reset button for 5 seconds.

Remark: Reset successful when the LED Indicator flashes.

LED Indicator

1.Unpaired sensor: LED Indicator will light up for 8h after power on, waiting for network pairing.

2.Paired sensor: LED Indicator will light up for 400ms.

3.Detection: LED Indicator will flash when the first movement is detected.

Bluetooth Operating Frequency: 2402-2480 MHz

Bluetooth Max Transmission Power: <+10dBm

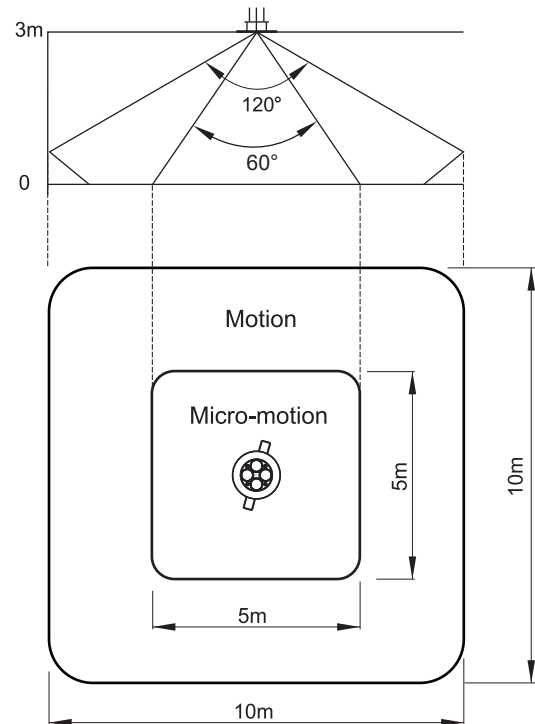


In case of damage to the wires, it has to be replaced only by the manufacturer, distributor or an expert to avoid risks.

Zur Vermeidung von Risiken müssen defekte Leitungen ausschließlich vom Hersteller, Inverkehrbringer oder Fachmann ausgetauscht werden.



Detection Range



Remark:

Motion: Walk

Micro-motion: Wave hand, Shake head